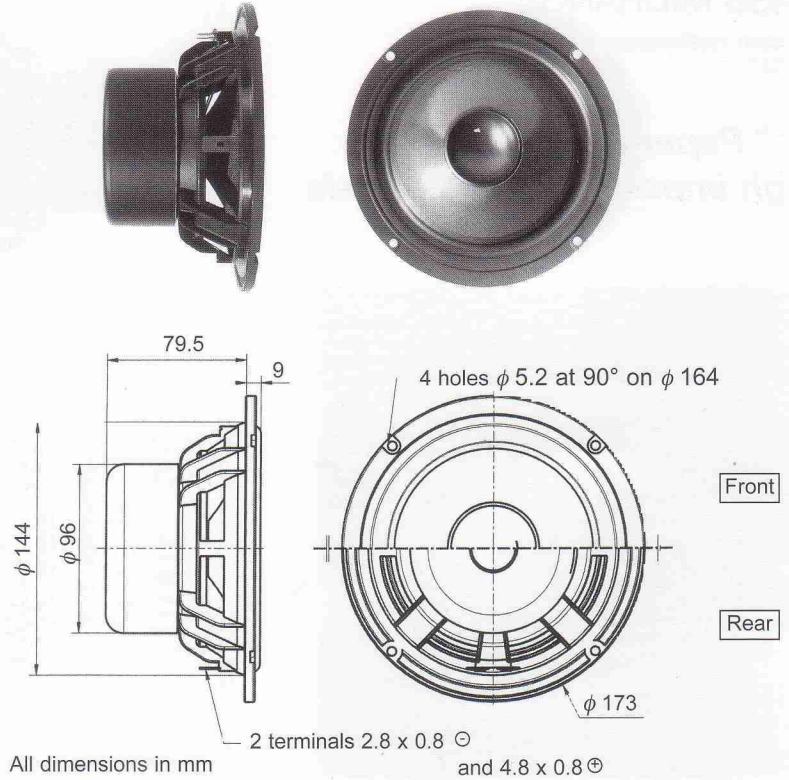


BASS MIDRANGE

AP170Z0 W08ZGT3011
102036L

Shielded 6^{1/2}" HDA cone driver High impact polymer chassis

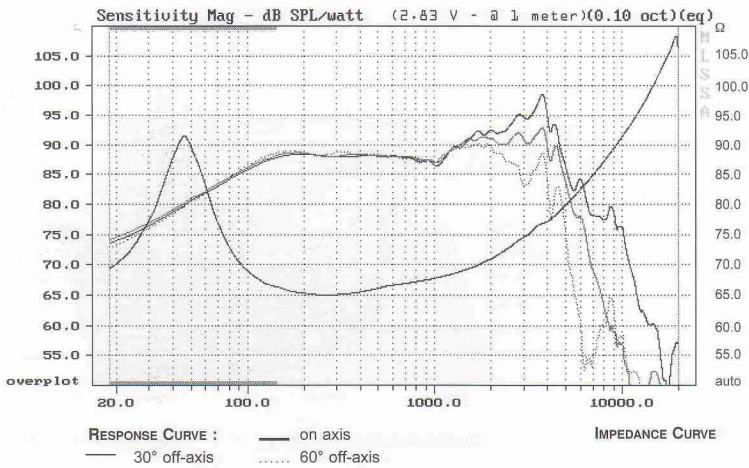
- Fully shielded magnet system for audio video application
- HDA (High Definition Aerogel) cone
- Non resonant high impact polymer chassis
- Built in cosmetic ring designed for front-rear and recessed mounting
- High loss rubber surround
- High temperature voice coil
- Aluminium former



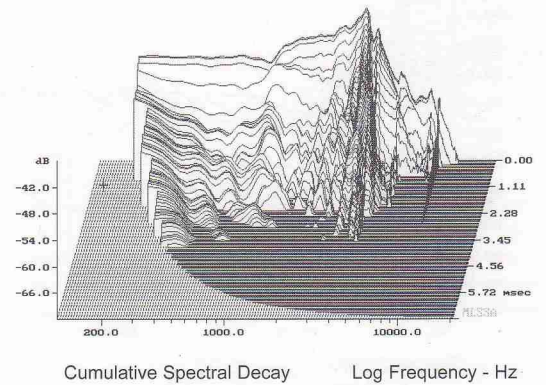
102089T

Octob.98

Response Curve



Waterfall



SPECIFICATIONS

Technical characteristics	Symbol	Value	Units
PRIMARY APPLICATION			
Nominal Impedance	Z	6	Ω
Resonance Frequency	Fs	48,5	Hz
Nominal Power Handling	P	60	W
Sensitivity (2,83 V - 1m)	E	89,3	dB
VOICE COIL			
Voice Coil Diameter	φ	30	mm
Minimum Impedance	Zmin	6	Ω
DC Resistance	Dcr	5,3	Ω
Voice Coil Inductance	Lbm	0,74	mH
Voice Coil Length	h	12	mm
Former	-	Aluminium	-
Number of Layers	n	2	-
Wire type	-	round	-
Wire material	-	copper	-

MAGNET

Magnet Dimensions	φ x h	84x15 72x10	mm
Magnet Weight	m	0,31 0,245	kg
Flux Density	B	1	T
Force Factor	BL	5,76	NA ⁻¹
Height of Magnetic Gap	He	6	mm
Stray Flux	Fmag	-	Am ⁻¹
Linear Excursion	Xmax	± 3	mm

PARAMETERS

Suspension Compliance	Cms	996	μm/N
Mechanical Q Factor	Qms	1,61	-
Electrical Q Factor	Qes	0,50	-
Total Q Factor	Qts	0,38	-
Mechanical Resistance	Rms	2,05	kg s ⁻¹
Moving Mass	Mms	10,82	g
Effective Piston Area	S	132,73	cm ²
Volume Equivalent of Air at Cas	Vas	24,65	liters
Mass of Speaker	M	1,4	kg

Suggested Applications

Vb	Fb	Dp	Lp	F-3
liters	Hz	cm	cm	Hz
15	54,0	6	15	58,8
20	54,3	6	10	52,2